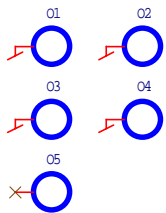
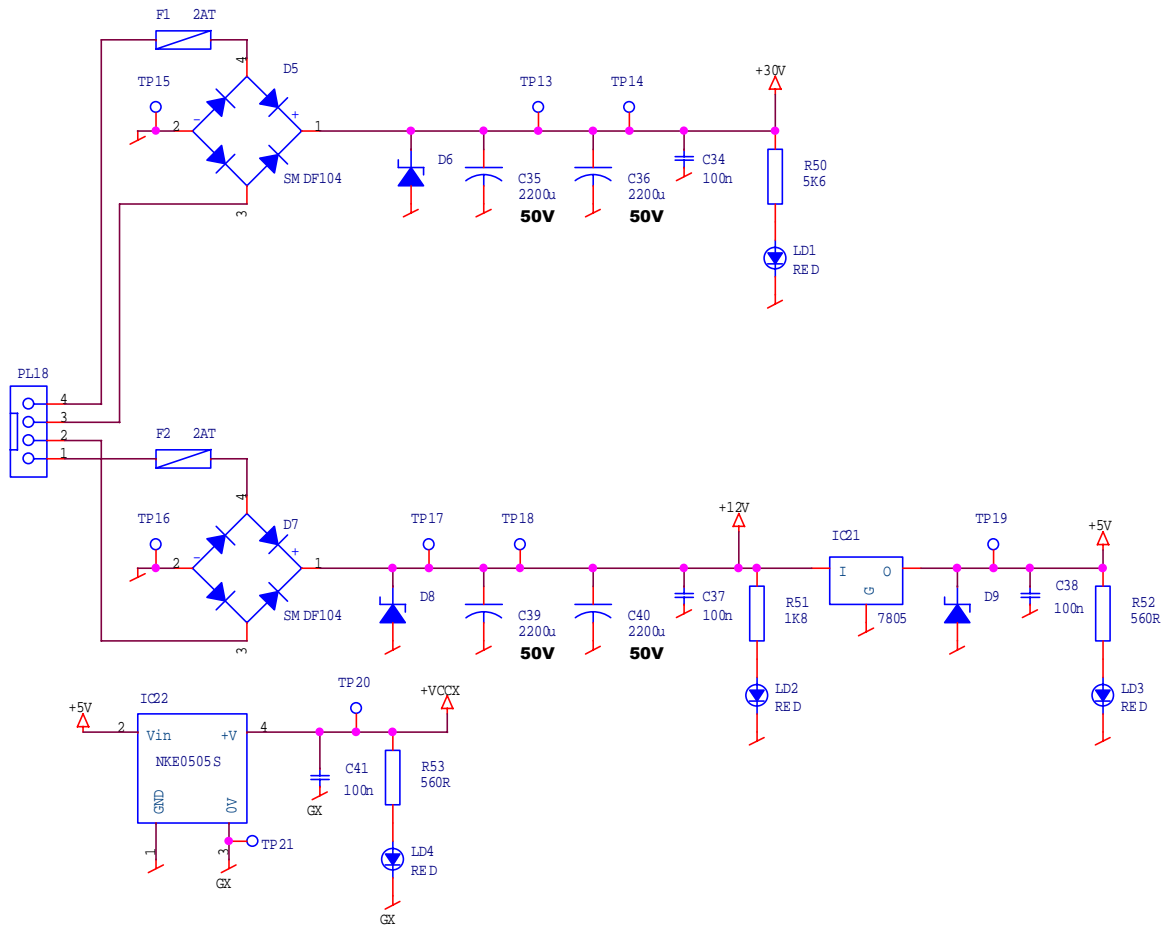

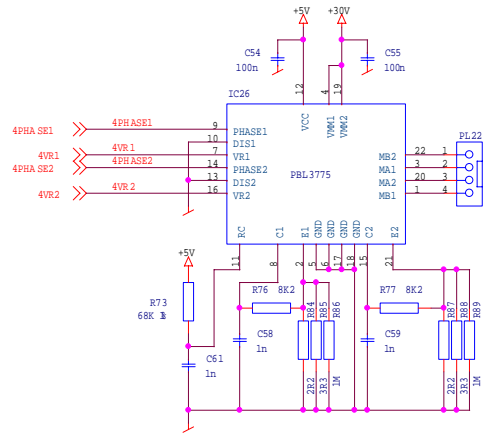
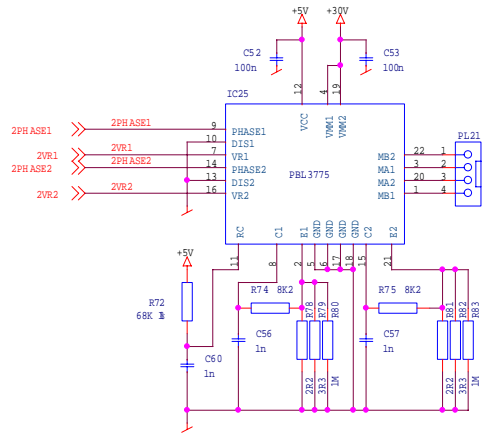
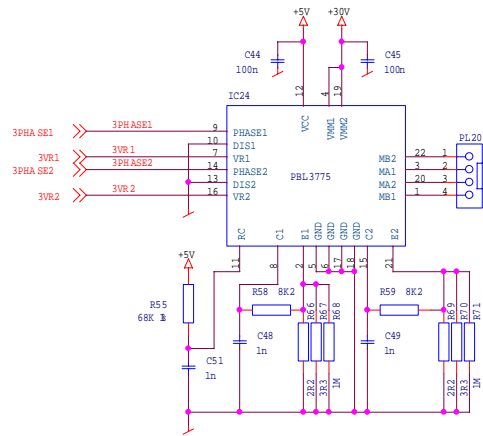
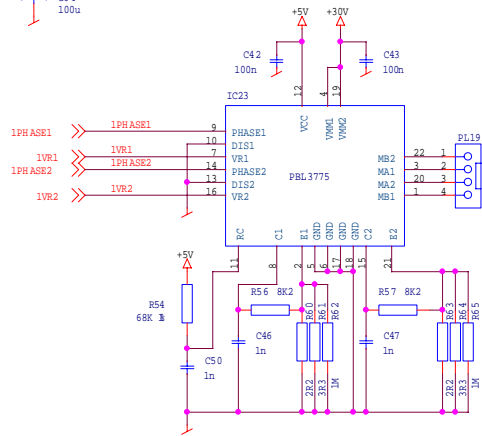


|                          |                            |              |
|--------------------------|----------------------------|--------------|
|                          | Project#                   | Drawn By     |
|                          | Size                       | PCB Title    |
| Sheet 2 of 4             | Exterior 300<br>LATCH + DA | BK<br>Rev 0C |
| Date:                    | Product Baan Number        |              |
| Wednesday, March 07 2001 | <ASB PCB no>               |              |



|   |               |                     |          |
|---|---------------|---------------------|----------|
|  | Project Title |                     | Drawn By |
|   | Exterior Ø0   |                     | BK       |
| Size  | PCB Title     |                     | Rev      |
| A4  | PSU           |                     | 0C       |
| Date  |               | Product Baan Number |          |
| Wednesday, March 07, 2001   |               | <ASB PCB no>        |          |
| Sheet 3 of 4  |               |                     |          |



|       |               |              |                          |                     |              |
|-------|---------------|--------------|--------------------------|---------------------|--------------|
|       | Project Title | Exterior 300 | Drawn By                 | BK                  |              |
|       | Size          | PCB Title    | STEPDRIVERS              | Rev                 | 0C           |
| Sheet | 4             | Date:        | Wednesday, March 07 2001 | Product Baan Number | <ASB PCB no> |
|       | of            |              |                          |                     |              |